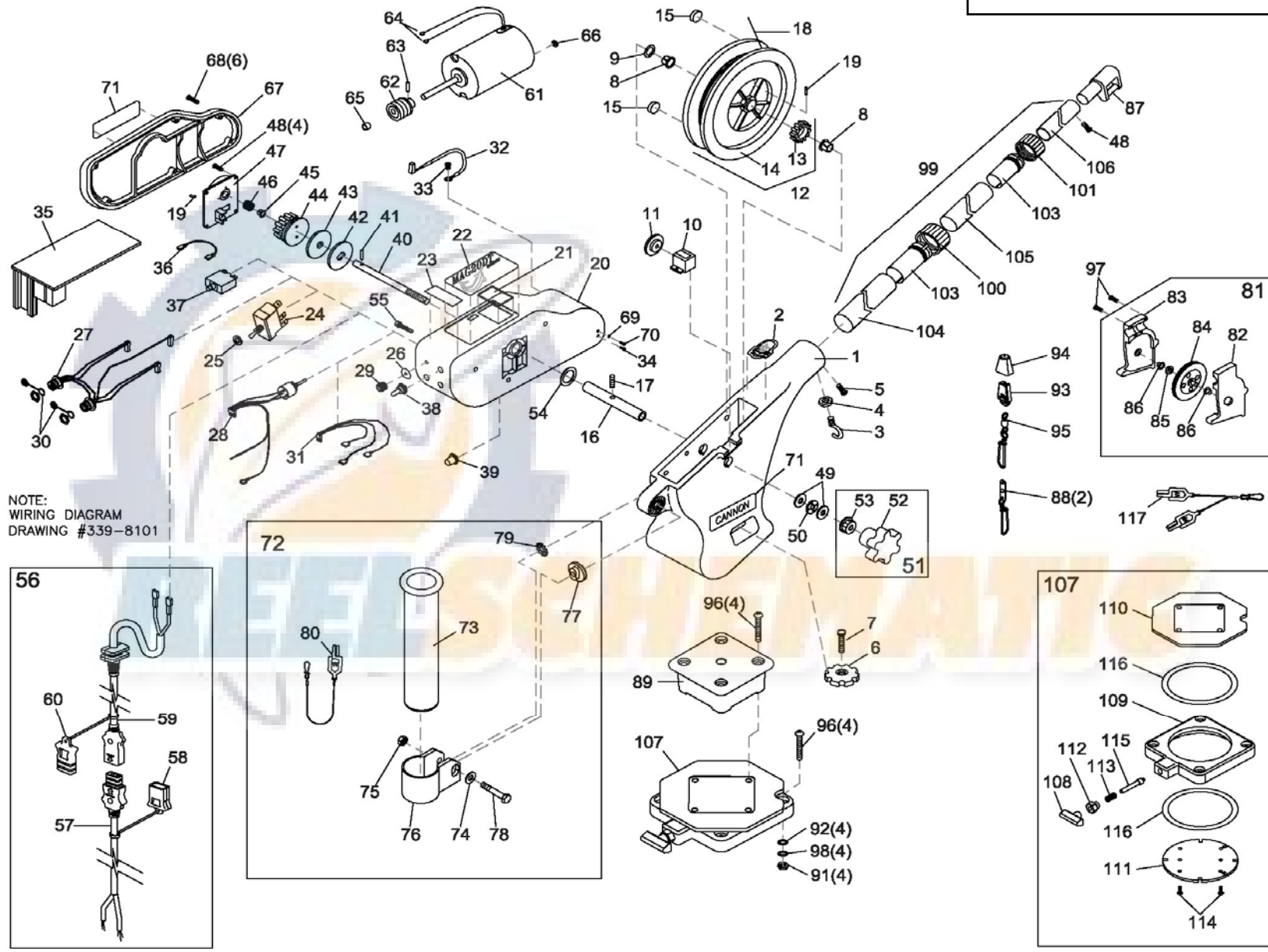


for use with "AI" serial numbers



NOTE:  
WIRING DIAGRAM  
DRAWING #339-8101

In the U.S.A., replacement parts may be ordered directly from CANNON Parts Dept., 121 Power Drive, Mankato, Minnesota 56001. In Canada, parts may be ordered from any of the Canadian Authorized Service Centers shown on the enclosed list. Be sure to provide the MODEL and SERIAL numbers of your downrigger when ordering parts. Please use the correct part numbers from the parts list. Payment for any parts ordered from the CANNON parts department, may be by cash, personal check, Discover Card, MasterCard or VISA. To order, call 1-800-227-6433 or FAX 1-800-527-4464.

1	3392505	FRAME - LARGE WHITE (LEXAN)	40	1480070	SHAFT - DRIVE	79	9430160	>WASHER - STAR 5/16"
2	4427005	NOSE DECAL MAGNUM	41	9250002	PIN - DRIVE SHAFT 3/16" ROLL SS	80	2200109	>OFFSHORE SALTWATER RELEASE
3	9040040	HOOK - 1/4" - 20 ROLLED	42	0467695	BRAKE PLATE - REEL	81	3992300	SWIVEL HEAD ASSEMBLY
4	2263102	NUT - HEX 1/4"-20	43	1264670	CLUTCH PAD	82	0267001	▶SIDE PLATE (RH)
5	9280750	SCREW - 1/4" - 20 (RH) x 3/4" PPH	44	1433074	GEAR - DRIVER WORM	83	0267002	▶SIDE PLATE (LH)
6	0849615	BASE LOCK KNOB	45	9010003	BEARING - DRIVE SHAFT NYLINER	84	0269726	▶PULLY - SWIVEL HEAD
7	9040340	BOLT - 3/8"-16 X 1-1/2" HEX	46	9400005	SPRING - SHAFT CONTACT	85	3397300	▶WASHER - .735 OD X .36 ID
8	9010001	BEARING - REEL SHAFT NYLINER [2.EA]	47	4421002	COVER - GEAR CASE	86	9010070	▶HDW BEARING BRASS[2.EA]
9	9430210	WASHER - 1-1/16" OD X 7/8" ID (NYLON)	48	2372100	SCREW - #8 x 5/8" PPHMS [5.EA]	87	2227820	BOOM END - TELESCOPIC (LEXAN)
10	0220477	DEPTH COUNTER - 3 DIGIT	49	9010310	WASHER - THRUST [2.EA]	88	2200148	SNAP & INSULATOR [2.EA]
11	0833561	GEAR - COUNTER	50	9010280	BEARING - THRUST	89	1007334	MOUNTING BASE (LEXAN)
12	3397912	REEL ASSEMBLY - TS ELECTRIC	51	2998906	KNOB BRAKE	90	2994893	*BAG ASSEMBLY, MOUNTING (KIT #3)
13	0233560	>GEAR REEL	52	0649001	▶KNOB - HAND ADJUST	91	2263102	NUT - HEX 1/4"-20 [4.EA]
14	3397902	▶REEL - 3.75" SS	53	9130390	▶NUT - KNURLED INSERT 3/8"-24	92	2371712	WASHER - 9/32" FLAT [4.EA]
15	1459666	REEL MAGNET [2.EA]	54	1479070	O-RING - REEL SHAFT	93	9100100	TERMINATOR
16	1480071	SHAFT - REEL	55	9370205	SCREW - 1/4" x 3/4" HEX WASH HD [3.EA]	94	9100101	TERMINATOR CUSHION
17	9340131	SCREW - SET 5/16"-18 x 1-3/4" (REEL)	56	3993200	POWER CABLE ASSEMBLY	95	9100620	TERMINATOR SNAP & SWIVEL
18	3775397	SPOOL CABLE SS [400.FT]	57	3393200	>POWER CABLE - BATTERY	96	9280725	BOLT - TRUSS 1/4" - 20 x 2-1/2" [8.EA]
19	9100070	CABLE LEADER SLEEVE [2.EA]	58	3393201	>CAP - POWER CABLE - BATTERY	97	9370010	SCREW - #4 x 1/2" PPH [3.EA]
20	3396534	MOTOR HOUSING - MAG 20 TS (LEXAN)	59	3393202	>POWER CABLE - MOTOR	98	9950357	WASHER - LOCK 1/4" SPLIT [4.EA]
21	1497071	LENSE - WINDOW DISPLAY	60	3393210	>CAP - POWER CABLE -MOTOR	99	3392010	TELESCOPIC BOOM SS
22	3395601	DECAL - LARGE, MAG 20 DT/TS	61	1458001	MOTOR 12V DC	100	2219822	>BASE TUBE CLAMP
23	3395700	DECAL - POSITIVE ION CONTROL TS	62	1497070	GEAR - WORM MOTOR	101	2219823	>MID TUBE CLAMP
24	2286792	SWITCH - UP/DN CONTROL	63	9250001	PIN - MOTOR, 3/32" X 3/4" ROLL SS	102	2222825	>MID TUBE COLLET
25	2286793	WASHER - SHIM .750 x .1 UP/DN SWITCH	64	700032	TERMINAL - MOTOR, FEM 12-10 [2.EA]	103	2222826	>BASE TUBE COLLET
26	3395701	DECAL - PIC KNOB DIAL TS	65	9010002	BEARING - MOTOR SHAFT	104	3392001	▶BOOM BASE TUBE (SS)
27	050268	CABLE ASSY - MAG20DT (DATA IN/OUT)	66	2263112	NUT - HEX #10-32 BZ	105	3392002	▶BOOM MID TUBE (SS)
28	050215	POSITIVE ION CONTROL POT	67	3390201	COVER - MOTOR HOUSING TS (LEXAN)	106	3392003	▶BOOM END TUBE (SS)
29	611005	KNOB - POSITIVE ION CONTROL	68	3393400	SCREW - #8-18 x 1-1/4" PPHSMS SS [6.EA]	107	2998905	SWIVEL BASE
30	700176	CAP - CONNECTION PORT [2.EA]	69	701007	O-RING - SMALL	108	2249001	>KNOB - RELEASE PIN (LEXAN)
31	609209	CABLE ASSY - MAG20DT UP/DN SWITCH	70	2332103	SCREW-#6-20 X 3/8"	109	2267001	>BASE PLATE (LEXAN)
32	609253	CABLE ASSY - ANTENNA IN (SENSOR)	71	3395632	DECAL - CANNON LARGE TS [2.EA]	110	2267002	>SWIVEL PLATE (LEXAN)
33	1234002	INSERT - 1/4" PRESS THD #6-32	72	3991903	BAG ASSY - REAR ROD HOLDER TS	111	2267006	>INDEXING PLATE (TAPPED)
34	603103	SCREW - MACH #6-32 x 3/8" SS	73	0290796	>TUBE - ROD HOLDER	112	2277001	>NUT - RETAINER RELEASE
35	050265	CONTROL BOARD - MAG 20 DT	74	2151726	>WASHER - 5/16" FLAT	113	2287002	>SPRING - RELEASE PIN
36	1296831	WIRE - CIRCUIT BREAKER JUMPER (RED)	75	2383106	>NUT - 5/16"-18 SS	114	2372100	>SCREW - #8 x 5/8" PPHMS [2.EA]
37	3398205	CIRCUIT BREAKER - 30 AMP	76	3319005	>CLAMP - ROD HOLDER w/ SLOT	115	3392600	>RELEASE PIN
38	1221490	UP/DN SWITCH BOOT	77	3325002	>DISK - ROD HOLDER	116	9010004	>BEARING - SWIVEL BASE [2.EA]
39	1221491	CIRCUIT BREAKER BOOT	78	9040310	>BOLT - HEX 5/16"-18 x 2"	117	2200107	OFFSHORE STACKER

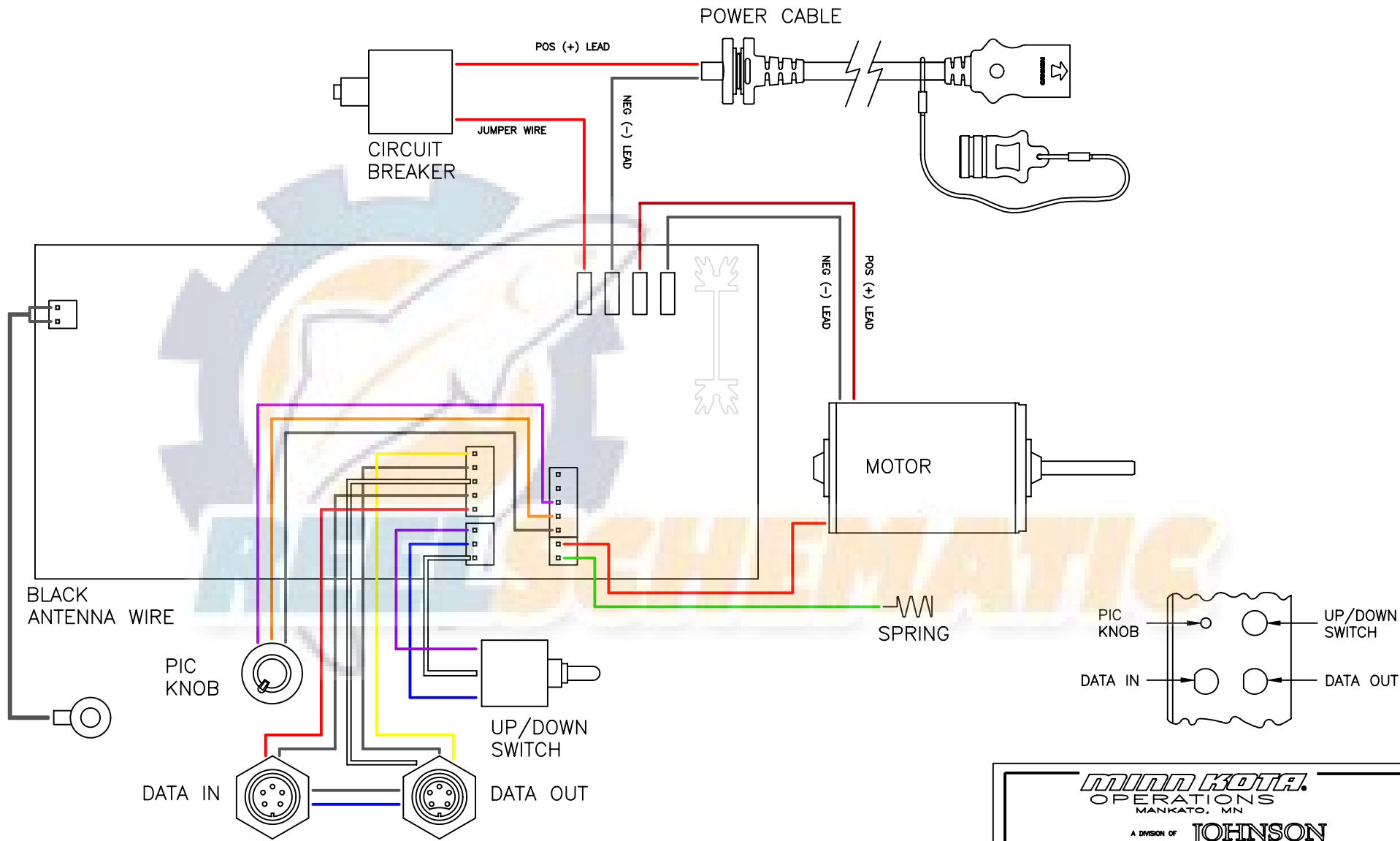
> PART OF ASSEMBLY

▶ITEM CANNOT BE SOLD SEPARATELY

\* PARTS USED BUT NOT SHOWN


PART NO: 339-8101

REVISIONS					
REV.	ECN NO.	DESCRIPTION	BY	DATE	APP'D BY
A	15412	RELEASED	JLL	10/18/06	DJ
B	30583	REVISED IDC WIRE PLACEMENT	JLL	11/05/07	DJ



**TOLERANCES:**  
 UNLESS OTHERWISE SPECIFIED  
 .XXX ±.0010  
 .XX ±.005  
 .X ±.010  
 .X ±.015  
 FRACTIONAL ± 1/64  
 ANGULAR DIMENSIONS ± 0°30'

**CONFIDENTIAL PROPERTY—**  
 This document is the confidential property of Johnson Outdoors and is loaned subject to return upon demand; title to same is never sold/transferred for any reason. This document is to be used only pursuant to written instructions of Johnson Outdoors. All rights to designs and inventions are reserved by Johnson Outdoors. Possession of this document is accepted subject to the foregoing.

 THIRD ANGLE PROJECTION

DRAWN BY: JLL  
 DATE: 10/18/06  
 APP'VD BY: DJ  
 DATE: 10/18/06  
 CHECKED BY: [ ]  
 DATE: [ ]

FINISH: NONE	PART NAME: MAG 20 DT WIRING DIAGRAM	A SIZE
MATERIAL: NONE	RELEASED ECN# 15412	REV: B
	PART NO.: 339-8101	
	SCALE: NONE	U/M: IN.